

## Edge Protection Profiles

### Material PVC

#### SPECIFICATION

Profile  
 Polyvinyl Chloride (PVC)

- Black **SW**
- Hardness 70 ±5 Shore A
- Temperature resistant -40 °C to 90 °C
- Weather exposure

Clamp insert  
 Steel clamping band

#### INFORMATION

Edge protection profiles GN 2184 are installed on the front edge of metal sheets and plates. They protect the surfaces from damage by sharp edges. The edge finish additionally achieves an optical decorative effect, while the need for potential further treatment such as burring and chamfering of cut or laser-cut metal sheets is reduced to an absolute minimum.

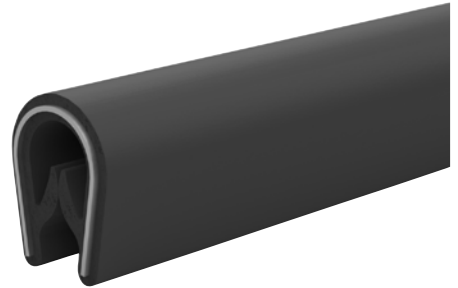
Adhering to the guideline placement radii ( $r_1...r_3$ ) is recommended in order to guarantee permanent profile placement and to make assembly easier. Assembly can be carried out by hand, or alternatively with a soft-face hammer. The embedded clamp insert prevents it from detaching. Glue or other adhesives are not required.

#### ON REQUEST

- Color white / gray

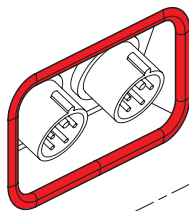
#### TECHNICAL INFORMATION

- Plastic Characteristics (see page A2)

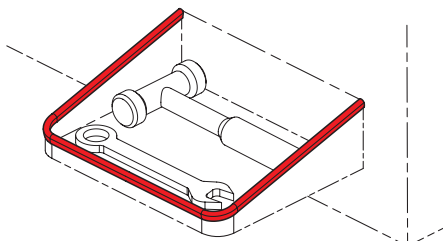
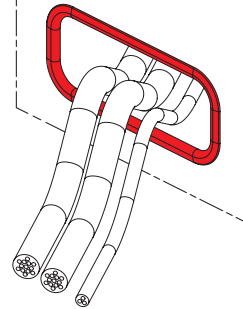


#### Application Examples

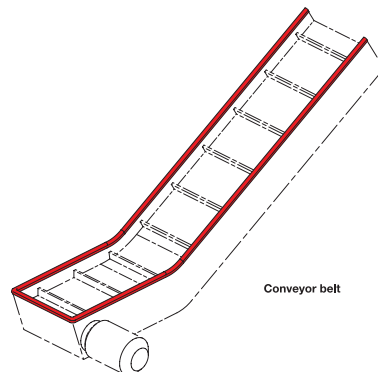
Cable duct / Socket duct



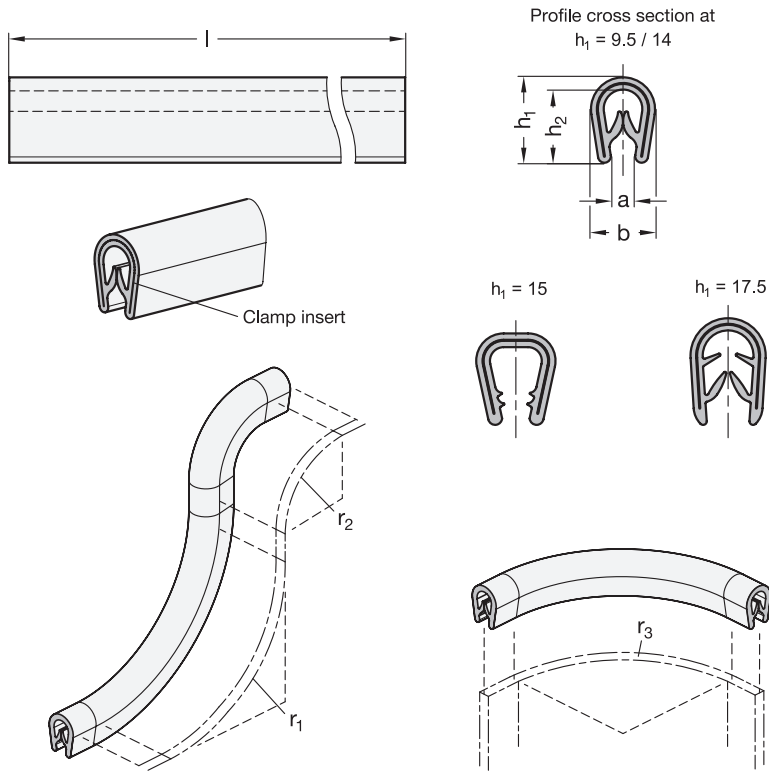
Cable duct



Tool tray



Conveyor belt



GN 2184

Description	h <sub>1</sub>	Length l in meter	a	b	h <sub>2</sub>	r <sub>1</sub>	r <sub>2</sub>	r <sub>3</sub>	⚖
GN 2184-9,5-SW-20	9,5	20	1-2	6,5	8	15	10	10	1400
GN 2184-9,5-SW-50	9,5	50	1-2	6,5	8	15	10	10	3500
GN 2184-14-SW-20	14	20	1-4	10,5	12	25	25	25	2800
GN 2184-14-SW-50	14	50	1-4	10,5	12	25	25	25	7900
GN 2184-15-SW-20	15	20	6-8	13	12,75	15	30	20	3450
GN 2184-15-SW-50	15	50	6-8	13	12,75	15	30	20	8600
GN 2184-17,5-SW-20	17,5	20	4-6	12,25	15,5	30	45	15	3950
GN 2184-17,5-SW-50	17,5	50	4-6	12,25	15,5	30	45	15	9800

